



BZT035L6C - SUBMITTAL

Project Name:		Project Location:	
Quote ID:		Item #:	1000
Submitted For:		Submitted On:	
Submitted By:		Submitted From:	
Identity #:	BZT035L6C 230/3	Tag:	

For Record For Approval By: _____ Date: _____

General Product Information

Product Family:	BZT	Compressor Brand:	Copeland
Application:	Outdoor	Compressor Type:	Scroll
Temperature Range:	Low Temp	Compressor Hp:	3
Voltage: (Volts/Ph/Hz)	208-230/3/60	Compressor Model:	ZF11K4E-TF5
Refrigerant Type:	R404A	Number of Compressor(s):	1
Piping:	Standard	Coil Type:	Microchannel

NOTE : THIS EQUIPMENT IS PROHIBITED FROM USE IN CALIFORNIA WITH ANY REFRIGERANTS ON THE "LIST OF PROHIBITED SUBSTANCES" FOR THAT SPECIFIC END-USE, IN ACCORDANCE WITH CALIFORNIA CODE OF REGULATIONS, TITLE 17, SECTION 95374. THIS DISCLOSURE STATEMENT HAS BEEN REVIEWED AND APPROVED BY HEATCRAFT REFRIGERATION PRODUCTS LLC AND HEATCRAFT REFRIGERATION PRODUCTS LLC ATTESTS, UNDER PENALTY OF PERJURY, THAT THESE STATEMENTS ARE TRUE AND ACCURATE.

Technical Information

Performance Data

Ambient Temperature (°F)	Saturated Suction Temperature (°F)	Capacity (BTU/H)	Altitude (ft)	AWEF Value
100	-20.0	12,115	0	N/A

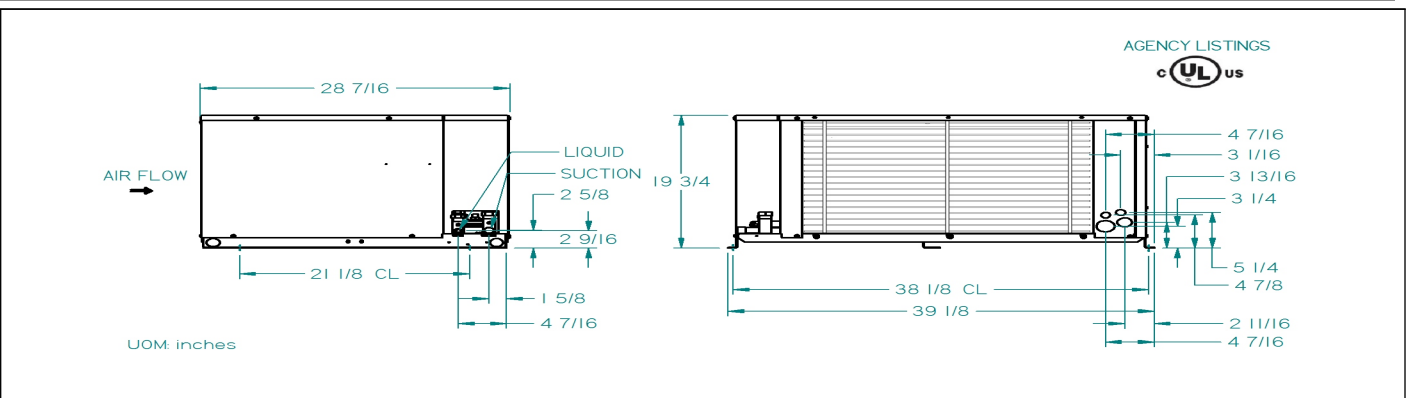
Electrical Data

Compressor(s)		Fan Motor(s)			Electric Ratings						
RLA	LRA	Quantity	Hp	FLA	Defrost Type	High or Low Amps?	Number of Contactors	MCA	MOPD	Evap. Fan Amps	Defrost Heater Amps
10.9	88	2	1/15	1	ELECTRIC DEFROST	NA		15	25		

Unit Specifications

Connections (in.)		Receiver 90% Full (lbs)		Fan Blade(s) Diameter (in)	Sound Data (dB)	Approx. Net Weight (lbs)
Liquid Line	Suction	Standard	Over Sized			
1/2	7/8	14.0		14	73	217

Dimensional Drawing(s)



Project Name:		Project Location:	
Quote ID:		Item #:	1000
Submitted For:		Submitted On:	
Submitted By:		Submitted From:	
Identity #:	BZT035L6C 230/3	Tag:	

Standard Features

QUALITY

- ALL UNITS ARE COMPLETELY LEAK TESTED IN A HELIUM ENVIRONMENT, BUMP TESTED AND ALLOWED TO CYCLE OFF ON THE HIGH AND LOW PRESSURE CONTROL.
- EACH UNIT HAS A COPY OF THE RUN DATA SHIPPED INSIDE THE ELECTRICAL PANEL
- ELECTRICAL CIRCUITS ARE COMPLETELY CHECKED FOR CONTINUITY
- ENCAPSULATED, AUTO-RESET, HIGH AND LOW PRESSURE CONTROLS TO ELIMINATE LEAKS (STANDARD ON ALL HIGH AND MEDIUM TEMPERATURE MODELS, ADJUSTABLE LOW PRESSURE CONTROL STANDARD ON LOW TEMPERATURE MODELS)
- PIPING IS LAID OUT TO MINIMIZE STRESS AND VIBRATION AND IS PRE-BENT TO ELIMINATE LEAKS

COMPONENT

- COMPRESSOR: 1/2 TO 1 HP COMPRESSORS ARE RIGID MOUNTED AND HAVE A DISCHARGE LOOP
- COMPRESSOR: DISCHARGE SERVICE VALVES COME STANDARD ON ALL UNITS
- FAN: SPECIFICALLY MATCHED WITH MOTOR AND COIL TO ATTAIN MAXIMUM AIR MOVEMENT AND COOLING

SERVICEABILITY

- LARGE ELECTRICAL PANEL FOR EASE OF ACCESS
- PREFABRICATED WIRING HARNESSES FOR TIGHT CRIMP CONNECTIONS AND CONSISTENT LABELING
- RECEIVER WITH FUSIBLE PLUG, LIQUID SHUTOFF VALVE AND CHARGING PORT IS STANDARD
- SIGHT GLASS IS EASILY VIEWABLE
- UNIT STAYS ON IF THE HOOD IS REMOVED FOR SERVICING

CABINET AND CONSTRUCTION

- HEAVY DUTY STEEL RAISED BASE WITH 1-1/2" LEGS
- PAINTED STEEL CABINETS FOR SUPERIOR STRENGTH AND CORROSION PROTECTION

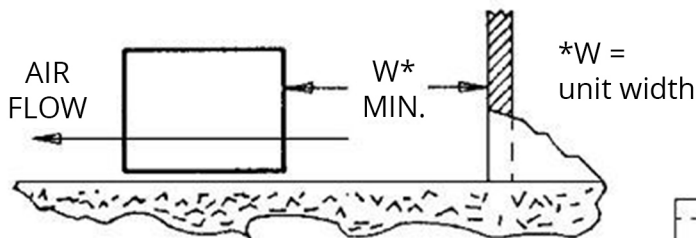
Options

Mounted Options

- DEFROST TYPE - ELECTRIC DEFROST
- LIQUID LINE OPTIONS - LIQUID STANDARD
- HI-LO PRESSURE OPTIONS - ADJ. LOW PRESSURE CONTROL
- DISCHARGE LINE OPTIONS - HEAD PRESSURE VALVE
- CRANKCASE HEATER OPTIONS - CRANKCASE HEATER
- BASE OPTIONS - STANDARD BASE
- COIL SELECTION - ALUMINUM FIN COIL
- SUCTION LINE OPTIONS - SUCTION TUBE ONLY
- BRAND LABEL OPTION - BOHN
- CABINET OPTIONS - PAINTED- OUTDOOR
- DEFROST TIMER OPTIONS - NO TIMER

Minimum Unit Clearances

Walls or Obstructions for Horizontal Air Flow



Multiple Units with Horizontal Air Flow

